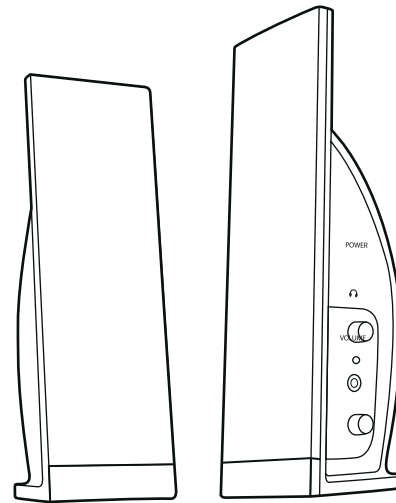


2.0
SPEAKER SYSTEM

For technical support please visit
<http://www.laserco.com.au>

SPK-S10
User Manual



Please read carefully before use

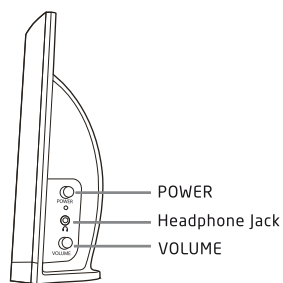
SPK-S10 User Manual

SPECIFICATION

Frequency response 120Hz - 20KHz Speaker : 5090 x 2 FULL RANGE
Power Input: 240VAC/50Hz Audio input: 3.5 mm stereo jack
Dimensions: 67mm (W) X 200mm (H) X 58mm (D).

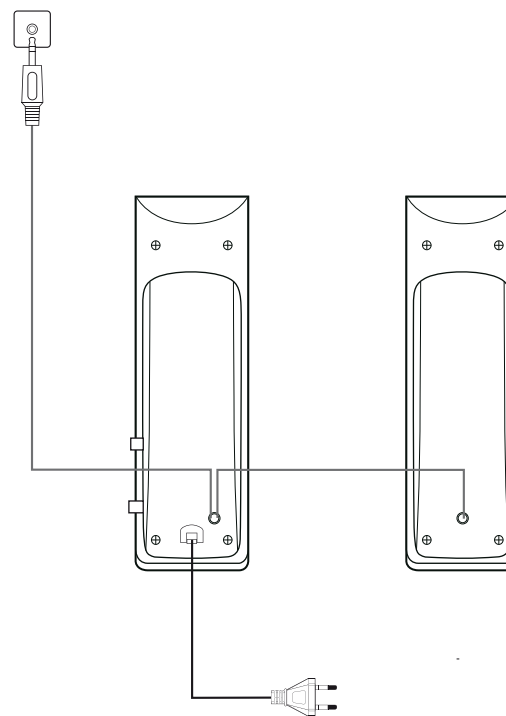
INSTALLATION AND OPERATION GUIDE

- A: Before connecting be sure that all components are switched off.
- B: Insert the 3.5mm stereo jack in to the audio out socket of the PC sound card, MP3 Player or other Audio Devices.
- C: Plug the AC power cable in to the power socket.
- D: Turn the volume control to minimum and then switch the speaker system on by pressing the POWER button. The LED will light up.
- E: Adjust the volume knob to a desirable volume level.



CONNECTIONS

(CD/ MP3/ Radio/ Computer.....) To Audio Source



*Disconnect AC power cord from the power outlet when not in use.